



CESS-HV-9.4K

Quick Installation Guide

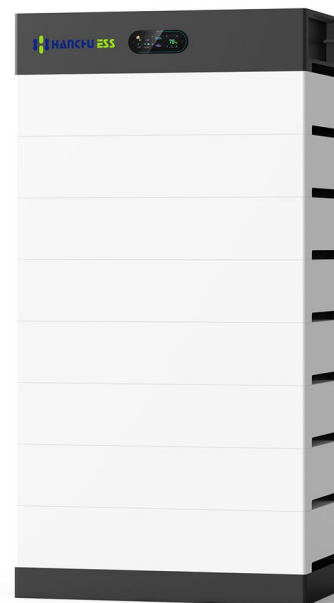
Version 02



Android APP



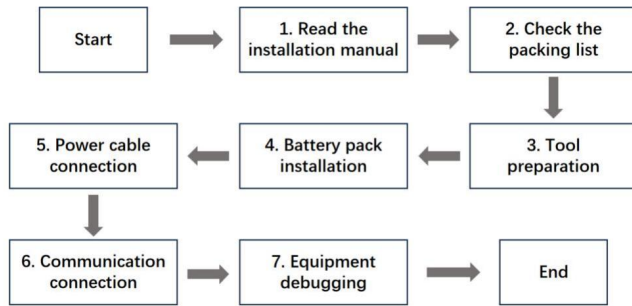
iOS APP



1. Installation Precautions

Flow chart of installation steps:

Please follow the equipment installation steps process to ensure the equipment can be successfully installed.



Please ensure that the installer meets the following requirements:

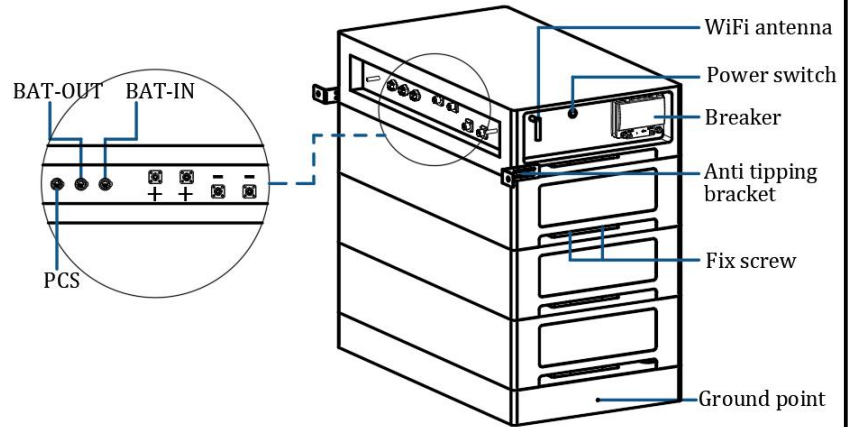
This system should only be installed by personnel with training and adequate knowledge of electrical power systems.

Please ensure that the installation location meets the following conditions:

- The installation and use environment need to comply with local laws and regulations and relevant international national and regional standards for lithium battery products.
- Install in a dry, well-ventilated environment and secure the equipment on a sturdy, level support surface.
- Avoid water accumulation in the installation location, and keep away from water sources such as faucets, sewer pipes, sprinklers, etc. to avoid water infiltration.
- The environment around the installation location is clean, and there is no infrared radiation, heat source, conductive dust, organic solvents and corrosive gases, etc.
- When the equipment is running, the temperature of the under-frame and heat sink will be relatively high, please do not install it in a place where it is easy to touch.
- When the equipment is running, do not block the ventilation openings or cooling system to prevent high temperature fires.
- Please choose a sheltered installation site, or build an awning to avoid direct sunlight or rain.

Schematic diagram of battery interface:

The definition of each interface must be clear during the installation process, otherwise the wrong connection will lead to installation failure or even damage to the equipment.



2. Check the packing list

Please refer to the packing items shown below, please check the packing list carefully, if any items are missing, please contact your dealer directly.

Battery energy Distribution Unit:



Battery energy Distribution Unit
(BDU)



Installation base



Anti tipping bracket*2



L-shaped hexagonal tool * 1



CAN communication line



Power cable 1 Black



Power cable 2 Red



Expansion bolt *7



Screw and terminal M4x12*12
/OT6-4



Quick Installation Guide



Back panel

Battery module:



Battery module



Hexagonal Screw M4x12*5

3.Tool preparation

Step 1 : Protective equipment products must be worn and maintained during the installation process.



Safety gloves



Safety goggles

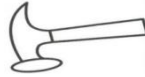


Safety shoes

Step 2 : Installation Tools: tools needed in the process of installing equipment, more effective to improve installation efficiency.



Phillips screw driver



Hammer



Level



Ruler



Electric screwdriver



Marker pen

4.Battery pack installation

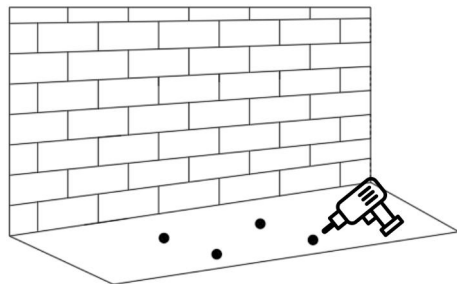
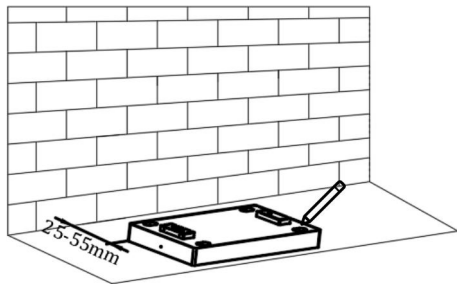
Attention should be paid to the following items before installation:

- Power cable specification: The matching power cable is 3AWG, and the max current is 120A. Please do not work under the condition of exceeding this current.
- Mounting space: Make sure that the battery system has enough space to install, make sure the ground is strong enough to bear the weight of the battery system. The battery is in danger of falling, so the anti-tipping bracket must be firmly installed on the wall, and the battery and anti-tipping bracket must be reliably fixed (the battery and anti-tipping bracket should be locked with screws).
- Wiring: Make sure the power cable and ground wire are reasonable. Not easy to short-circuit, water and corrosion.

Wall installation:

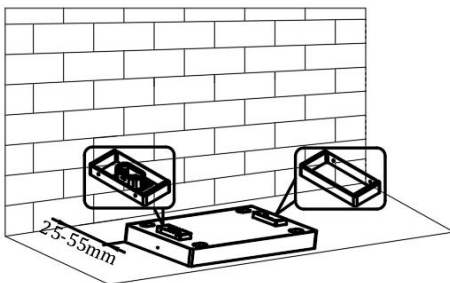
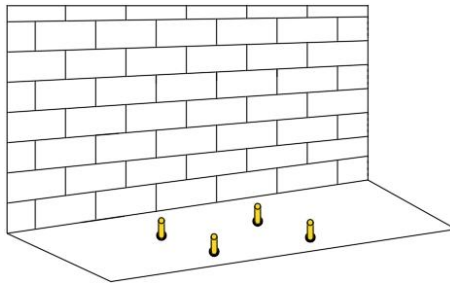
Step 1: Locate drill holes on the floor

Place the base along the wall and the base distance from the wall is 25-55mm. There are positioning holes on all sides of the base. Locating drill holes on the floor using the base as a template, mark the positions of the 4 holes, and then drill 10mm holes to ensure that the depth of the holes exceeds 50mm.



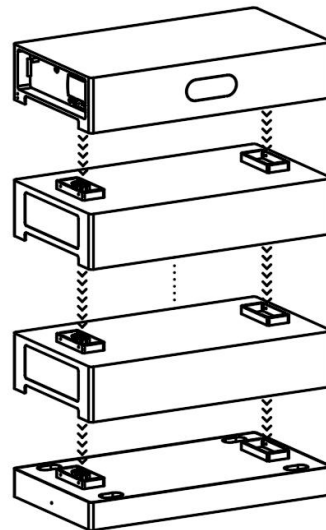
Step 2: Fix the base

Fit the expansion tubes into the holes, pull them tight, and then use the expansion screws (packaged with expansion tube for use) to install and secure the base to the floor. Note the left and right orientation of the base.



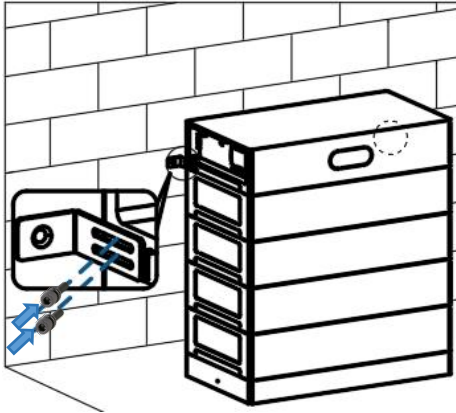
Step 3: Install the battery

Install the module and BDU in order from bottom to top. Observed from both sides of the battery system, make sure that the locking holes on both sides of the battery system overlap, if not, you need to re-adjust the position of the battery to make it overlap.



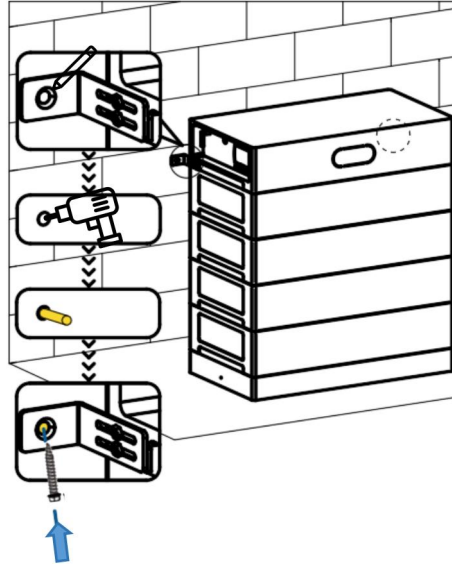
Step 4: Install the anti tipping bracket

There are threaded holes on the left and right sides of the BDU. Using the M4x12 screws to install the anti tipping bracket to it. During installation, take care to adjust the position of the anti-tipping bracket.



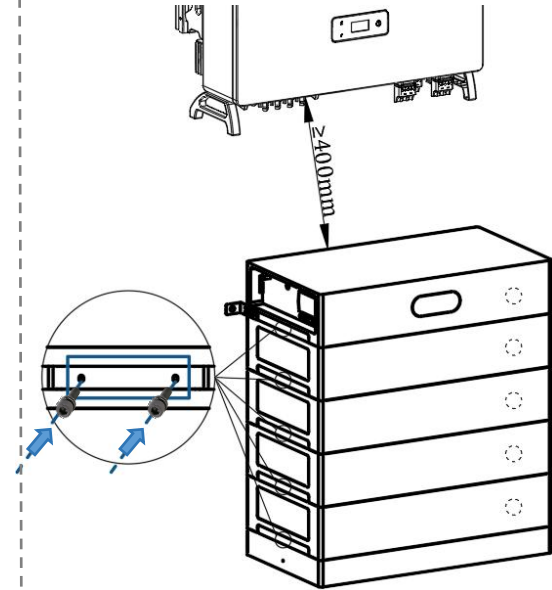
Step 5: Locate drill holes on the wall

Using the anti-tipping brackets as a template, use a marker pen to locate on the wall, then drill holes and install expansion screws. Before locking anti tipping bracket, complete power cable connection and communication connection. Note that you need to take down the BDU and a module when drilling and give the battery system a good protection to prevent foreign objects from entering and damaging the equipment.



Step 6: Fix the battery modules

There are screw holes on the left and right sides of the battery system. Using the M4x12 screws to lock the BDU, modules and base. The distance between the battery and the inverter should be about 400mm.



5. Power cable connection and communication connection

Installation Preparation:

Before connecting cables, make sure the battery and inverter are entirely switched off. Make sure all breaker switches are fully switched off.

Before connecting the power cables, using multi meter to measure cable continuity, short circuit, confirm positive and negative.

Step 1 :Connect the battery ground cable :

Customer needs to prepare the area of the grounding cable shall be at least 6mm², use a ground screw and terminal to connect the ground cable, and ground the battery. The bolt locking torque is 2NM.

Step 2 :Connect the battery to the inverter power supply

Connect the negative pole (P- terminal) of the battery and the BAT - terminal of the inverter with the power cable 1; connect the positive pole (P+ terminal) of the battery and the BAT + terminal of the inverter with the power cable 2 .

NOTE :

When the inverter is electrically connected, the inverter and batteries need to be powered off. Hear a sound locking into place as the cable connects to the terminal.

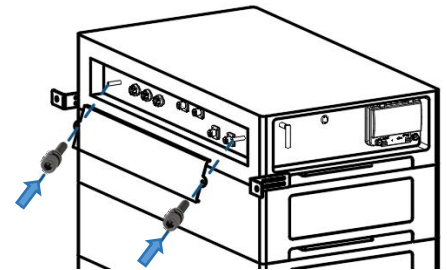
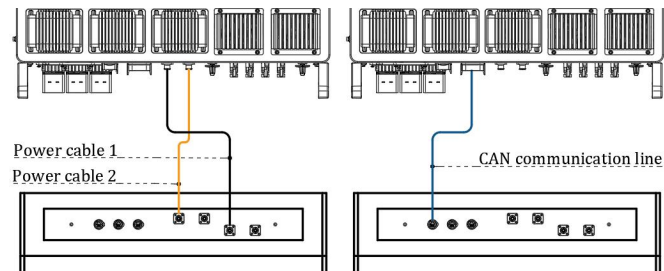
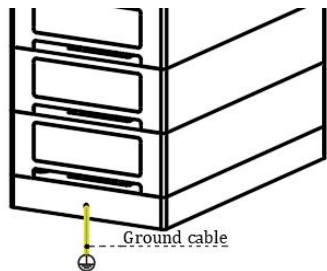
It is forbidden to mix batteries of different brands, specifications and batches, otherwise it will cause system failure.

Step 3: Connect the CAN communication line

Use the CAN communication cable to connect the inverter to the battery's PCS port.

Step 4: Install the back panel

Use M4x10 screws to lock the back panel to the BDU.



6. Equipment debugging

Step 1 : Equipment power on

Confirm again that the cables are connected in the correct order and the connection is firm before starting the test.

- 1) First turn on the inverter.
- 2) Then turn on the circuit breaker switch on the battery.
- 3) Next, press the power switch on the battery pack.
- 4) Observe the status on the battery panel to ensure it is normal.

NOTE :

- 1) The shut down procedure is opposite to the startup process, first shut down the power switch power on the battery; Then shut down the battery circuit breaker. Final turn off the inverter. When the system starts, ensure the boot sequence of each equipment, otherwise it may cause pre-charging and trigger the circuit breaker protection fault.
- 2) Do not move the battery system while the battery is operating. Including, but not limited to, when the circuit breaker and switch button are on, it is not allowed to move the BDU or modules, and it is also not allowed to plug and unplug the connector, otherwise there is a risk of electric shock.
- 3) When the battery system is necessary to move or rewire, the power must be cut off.

Step 2 : Inverter Protocol Selection:

The battery default factory CAN communication is Hanchu ESS protocol.

Protocol selection:

- 1) Check which protocols are supported by the inverter.
- 2) If the inverter supports the battery factory default protocol, select the corresponding protocol on the inverter directly.
- 3) If the inverter supports protocols other than the battery factory default protocol, select the same protocol on the battery and the inverter.

Battery protocol selection: select the interface and communication protocol matching with the inverter on the battery APP or the home page of the display (Protocol options include Hanchu ESS、General、General 1.21、AISWEI、SOFAR SOLAR、Luxpower、DCDC、Solis), and the APP selection method is described in Monitor Usage Guide.

- 4) After setting, you can see the normal status information of the battery pack, such as voltage, SOC, etc. from the inverter.

Contact

Hotline:+86-51088876668/+86-51088865288

Service Email: service@hanchuess.com

Web: www.hanchuess.com