



Outdoor Box-X1

Quick Installation Guide

Version 01



Android APP

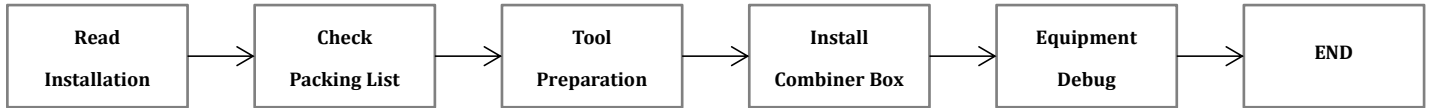


iOS APP

1. Installation Precautions

Flow chart of installation steps:

Please follow the equipment installation steps process to ensure the equipment can be successfully installed.



Please ensure that the installer meets the following requirements:

This system should only be installed by personnel with training and adequate knowledge of electrical power systems.

Please ensure that the installation location meets the following conditions:

- The installation and use environment need to comply with local laws and regulations and relevant international national.
- Install in a dry, well-ventilated environment and secure the equipment on a sturdy, level support surface.
- Avoid water accumulation in the installation location, and keep away from water sources such as faucets, sewer pipes, sprinklers, etc. to avoid water infiltration
- The environment around the installation location is clean, and there is no large amount of infrared radiation, organic solvents and corrosive gases, etc.
- When the equipment is running, do not block the ventilation openings or cooling system to prevent high temperature fires.

2. Check the Packing List

Please refer to the packing items shown below, please check the packing list carefully, if any items are missing, please contact your dealer directly.



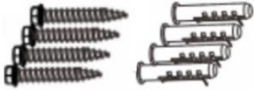
Outdoor Box



Base



Anti tipping bracket*2



Expansion Bolt * 7



Screws
M5*14 x 23/M8*14 x 6



Terminal and nut
SC6-5/M5



Cable gland*4



Installation Guide

3.Tool preparation

Step 1 : Protective equipment products must be worn and maintained during the installation process.



Safety gloves



Safety goggles

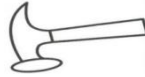


Safety shoes

Step 2 : Installation Tools: tools needed in the process of installing equipment, more effective to improve installation efficiency.



Phillips screw driver



Hammer



Level



Ruler



Electric screwdriver



Marker pen

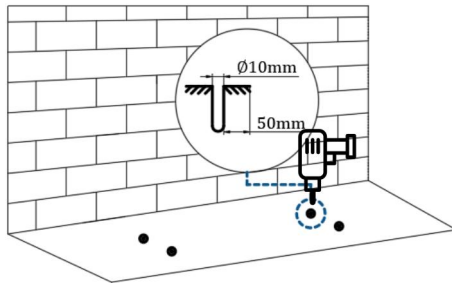
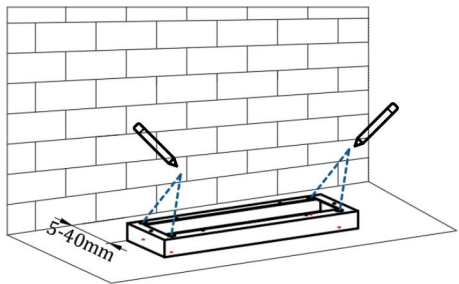
4.Outdoor Box Installation

Attention should be paid to the following items before installation:

- Mounting space: Make sure that the outdoor box has enough space to install, make sure the wall is strong enough to bear the weight of the outdoor box.
- Wiring: Make sure the ground cable is reasonable. Not easy to short-circuit, water and corrosion.

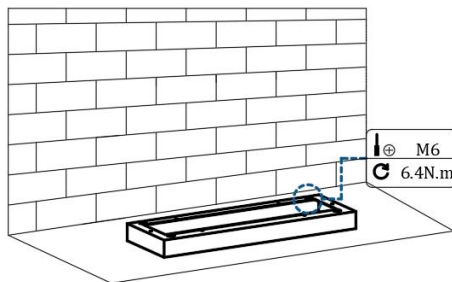
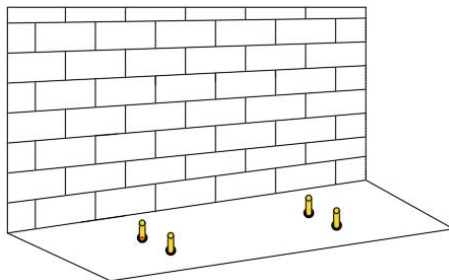
Step 1: Locate drill holes on the floor

Place the base along the wall and the base distance from the wall is 5-40mm. There are positioning holes on all sides of the base. Locating drill holes on the floor using the base as a template, mark the positions of the 4 holes, and then drill 10mm holes to ensure that the depth of the holes exceeds 50mm.



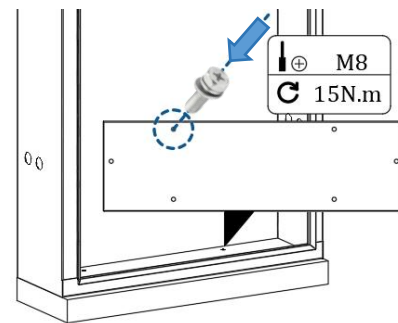
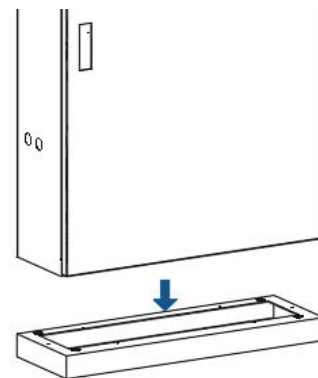
Step 2: Fix the base

Fit the expansion tubes into the holes, pull them tight, and then use the expansion screws (packaged with expansion tube for use) to install and secure the base to the floor.



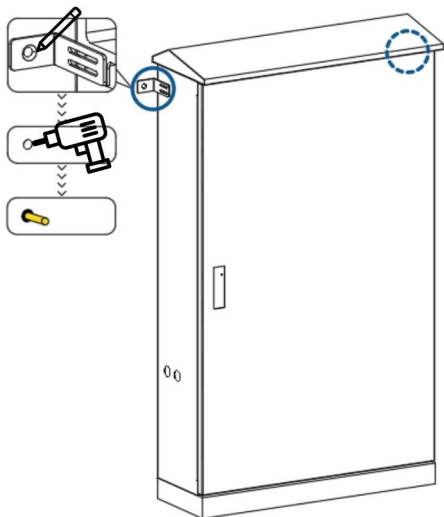
Step 3: Install the Outdoor Box

Place the outdoor box on the base, and from inside the outdoor cabinet, use M8*14 screws to lock the bottom of the outdoor box to the base.



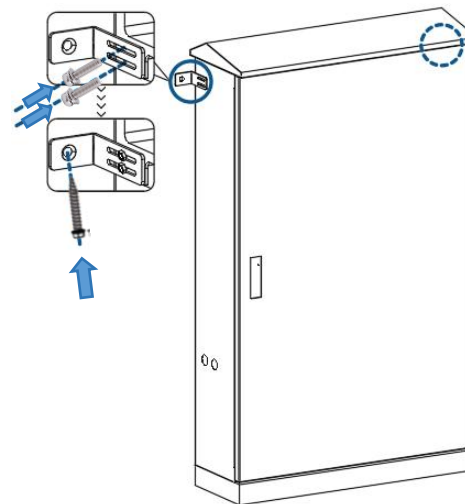
Step 5: Locate drill holes on the wall

Using the anti-tipping brackets as a template, use a marker pen to locate on the wall, then drill holes and install expansion screws. Note that you need to give the outdoor box a good protection to prevent foreign objects from entering and damaging the equipment.



Step 6: Install the anti tipping bracket

There are threaded holes on the left and right sides of the outdoor box. Using the M5*14 screws to install the anti tipping bracket to it. During installation, take care to adjust the position of the anti-tipping bracket.



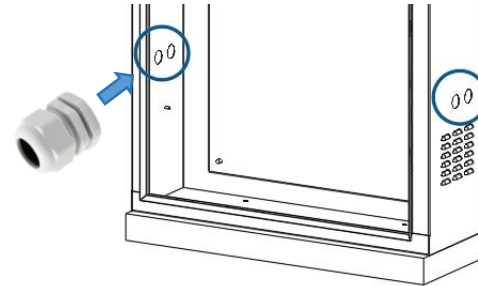
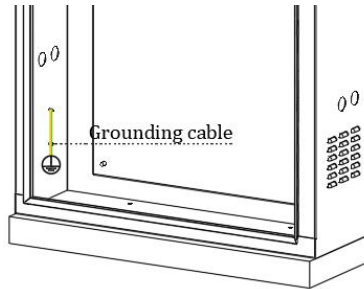
5. Cable Connection

Step 1 :Connect the ground cable :

Customer needs to prepare the area of the grounding cable shall be at least 6mm², use a nut and terminal to connect the ground cable, and ground the outdoor box. The bolt locking torque is 6NM.

Step 2 :Install the cable gland :

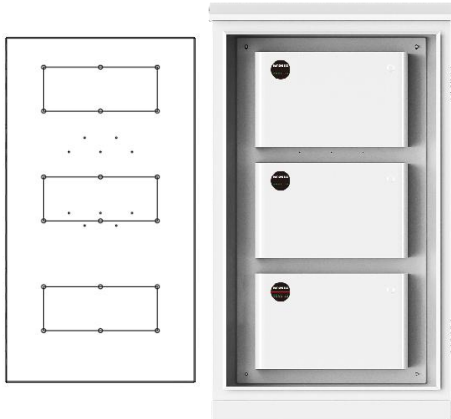
After completing the installation of the battery in the outdoor box, install the battery cables in the outdoor box openings through the cable gland.



6.The Outdoor Box And Batteries Installation

Outdoor box can be used in conjunction with HANCHU batteries. The installation diagrams are shown below.

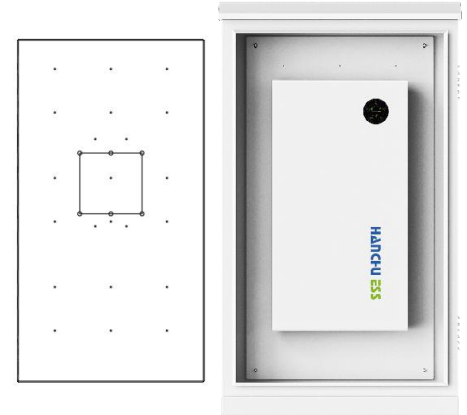
Outdoor box and HOME-ESS-LV-3.2K



Outdoor box and HOME-ESS-LV-5.12K



Outdoor box and HOME-ESS-LV-9.4K



Contact

Hotline:+86-51088876668/+86-51088865288

Service Email: service@hanchuess.com

Web: www.hanchuess.com